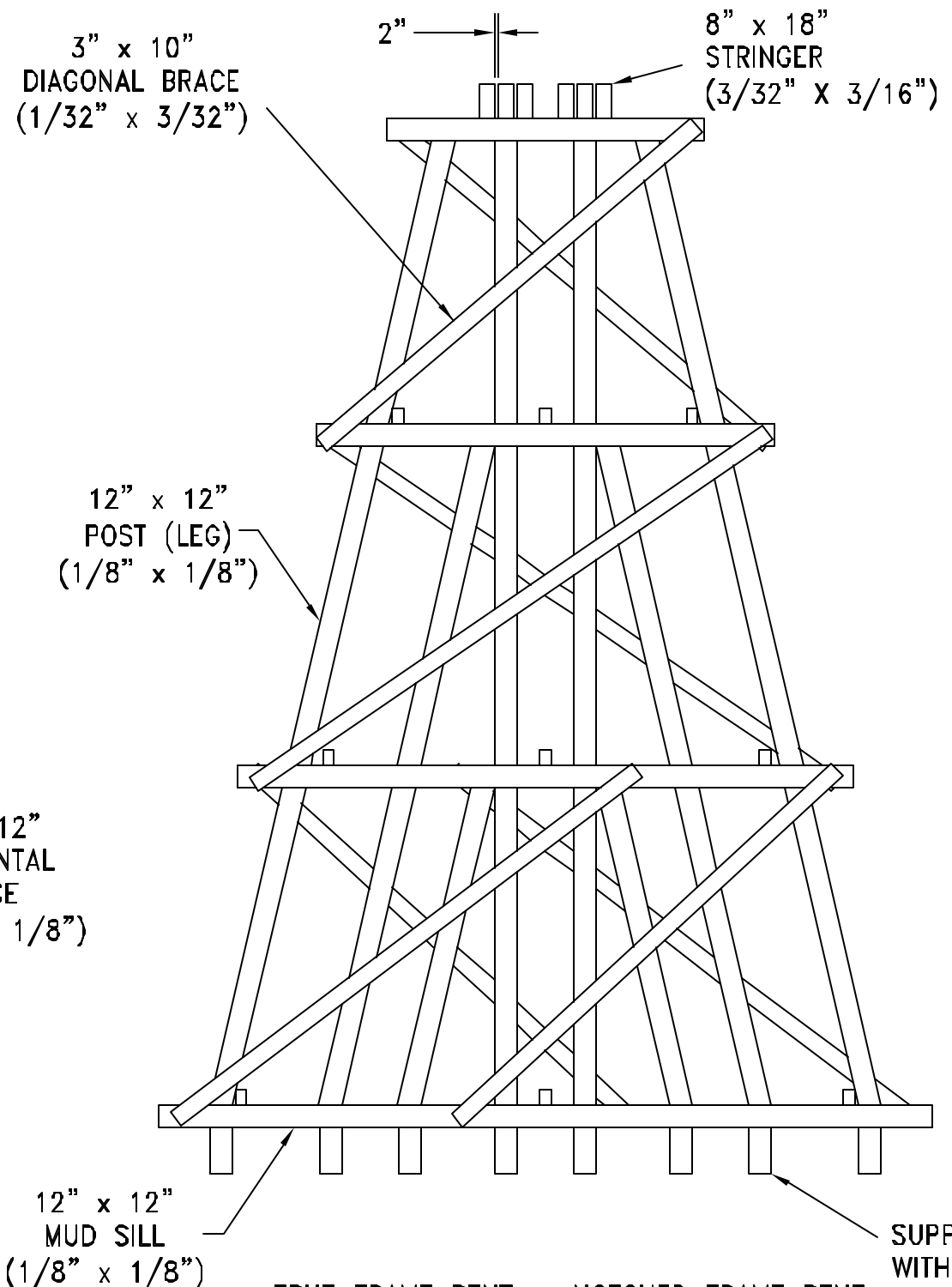
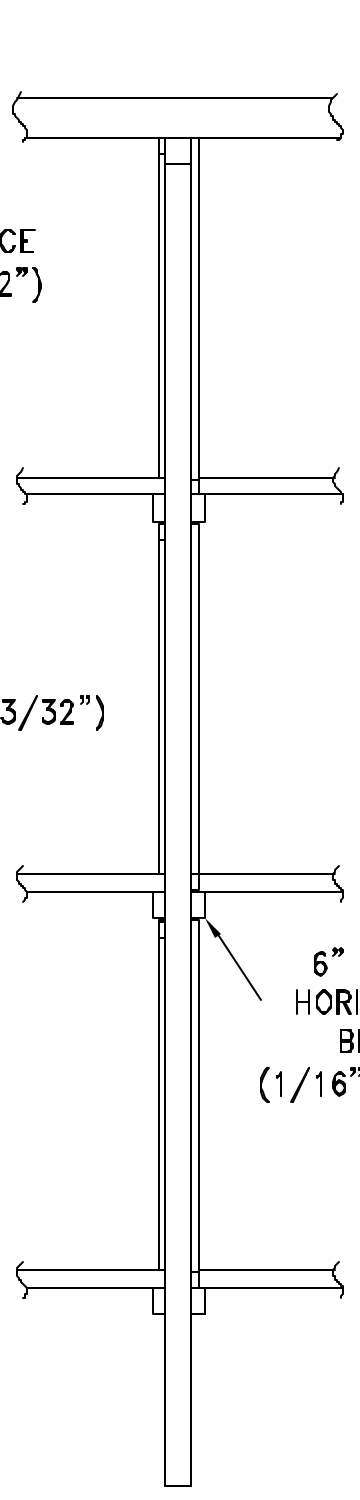
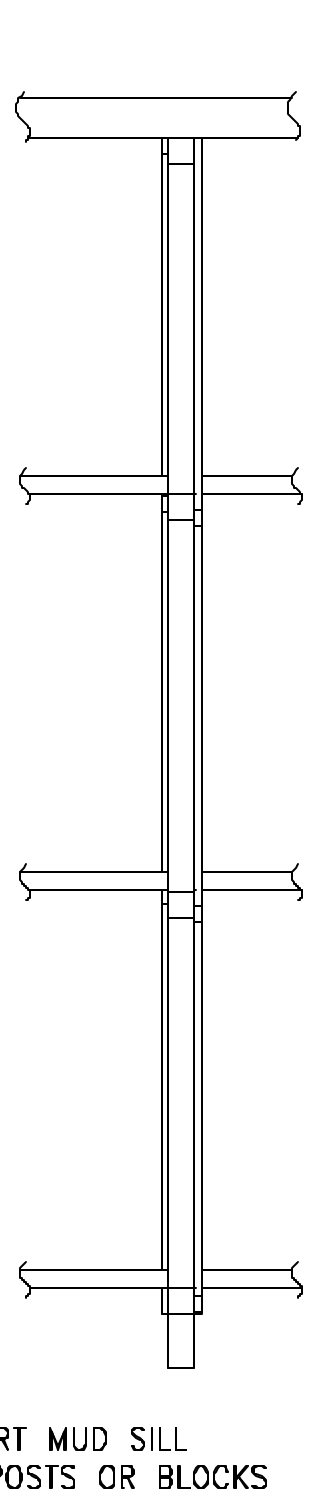



FALSE FRAME TRESTLE BENT



TRUE FRAME BENT or NOTCHED FRAME BENT



"HO" SCALE TRESTLE BENT - RGS		DRAWING SIZE	 Black Bear Construction Co. PO Box 26911 Austin, Texas 78755-0911 (512) 487-8400 FAX: (512) 458-8765
TYPICAL RGS BENT, BRIDGES 57 - A, B; THE GALLAGHER TRESTLE FEBRUARY 23, 2003	SHEET 1 OF 1	B	
TJ4RHO	DRAWING SCALE 1:1	© 1994-2003 Black Bear Construction Co.	