



Black Bear Construction Co.

PO Box 26911
(512) 467-8400

Austin, Texas 78755-0911
FAX: (512) 458-8765

4-LEG TRESTLE JIG

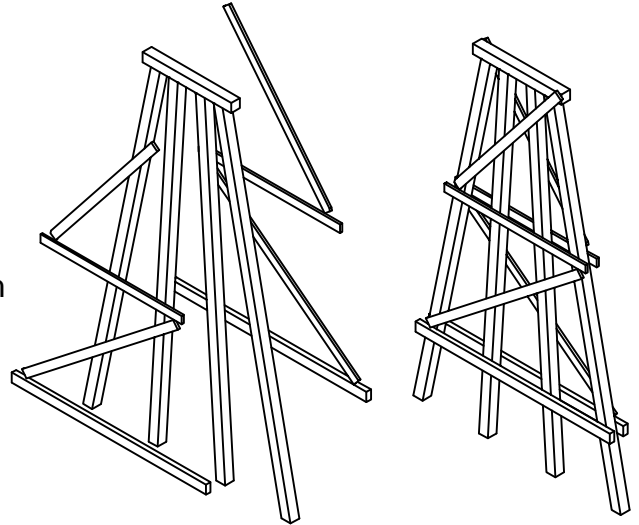
Denver & Rio Grande Western

Narrow Gauge - TJ4DNx

You can use this jig to build trestle bents in three different styles (options). The sill spacing can be any distance with all the options. The notches in the jig are merely guidelines for typical sill spacing. The bent design is based on actual D & RGW narrow gauge drawings.

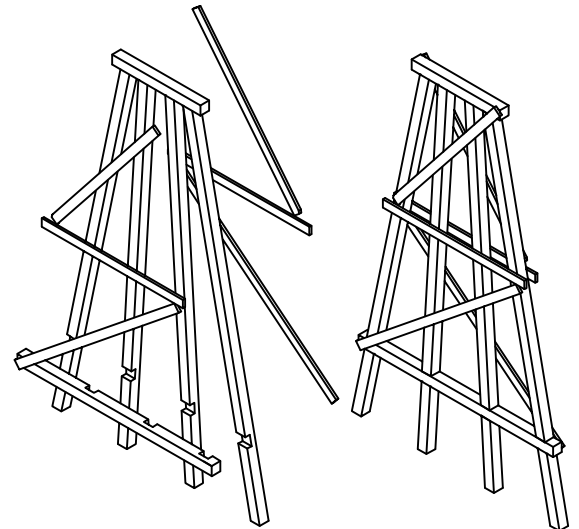
False Frame Bent

A true frame trestle bent is shown at the bottom of the page. True frame bents are hard to build and very weak because of all the butt glue joints. The **FALSE FRAME BENT** at the right is much easier to build, is very strong, and most folks (modelers or not) will be just as impressed. The difference is that the sills, which prototypically break the legs into separate pieces, are simulated by side braces. In this way you get the distinctive shape of the D&RGW trestle bent, without the drawbacks of the true frame bent. Build the bents any height by extending the legs out the end of the jig.



Notched Frame Bent

The **NOTCHED FRAME BENT** is an excellent compromise between the ease and strength of the false frame bent and the authenticity of the true frame bent. One of the best articles on trestle building ("Tackle a Timber Trestle", John S. Corbet, *Model Railroader*, Dec '63, p 54; republished in Kalmbach's *Model Railroad Bridges and Trestles*) describes the notching of the sills and the legs to create a bent that looks prototypical from one side. These instructions describe an easy, reliable, and teachable process for notching the parts. They look great. Build the bents any height by extending the legs out the end of the jig.



True Frame Bent

For the ultimate modeling experience, nothing beats prototype modeling. Option 3 of the instructions describes how to use the 4-Leg Assembly Jig to build **TRUE FRAME BENTS**. The jig is also used to cut the parts to length. You can easily adjust the height of the sills so your bent can have several different sill spacings. Building bents taller than 40' may require the modeler to build a fixture to register the lower posts.

