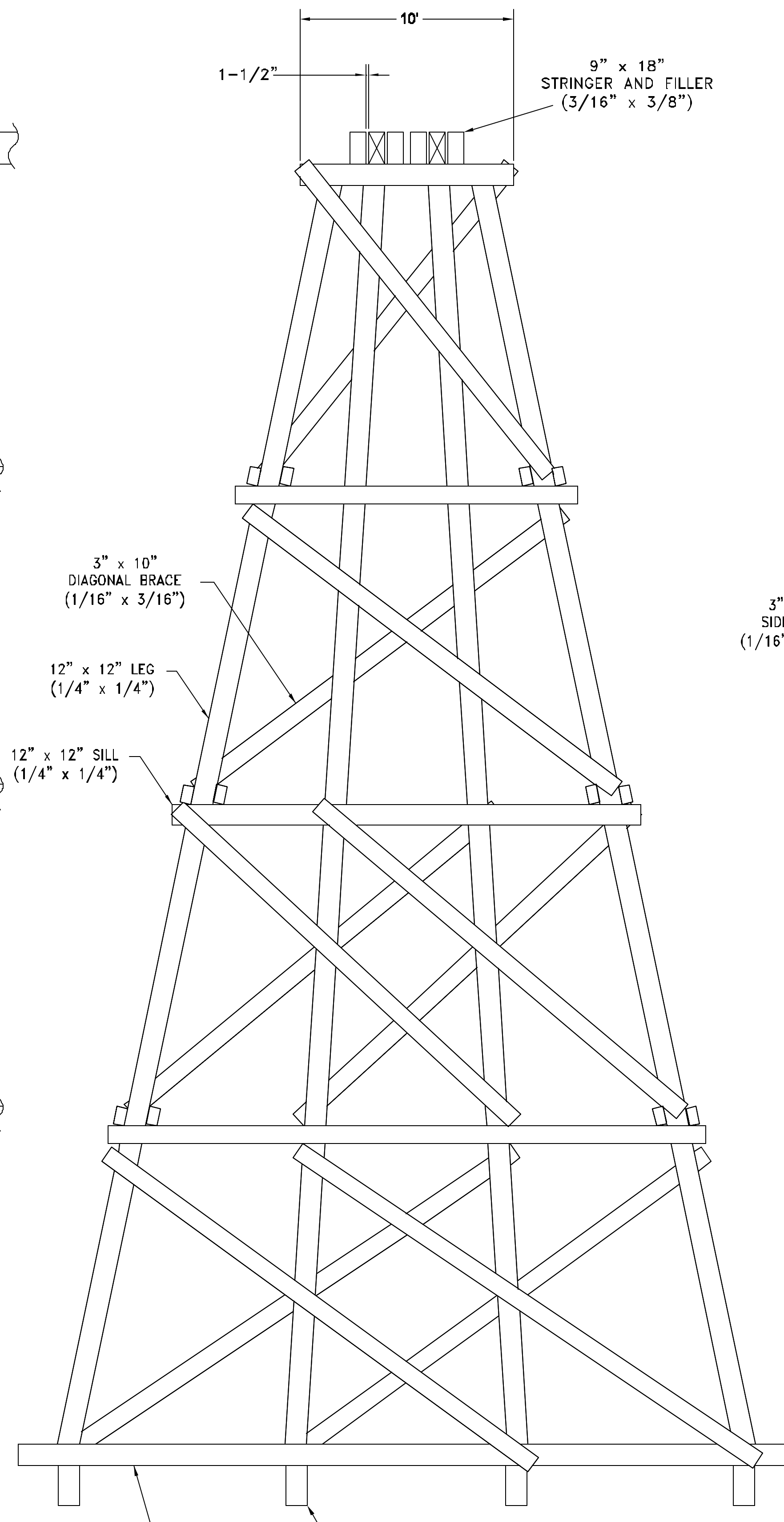
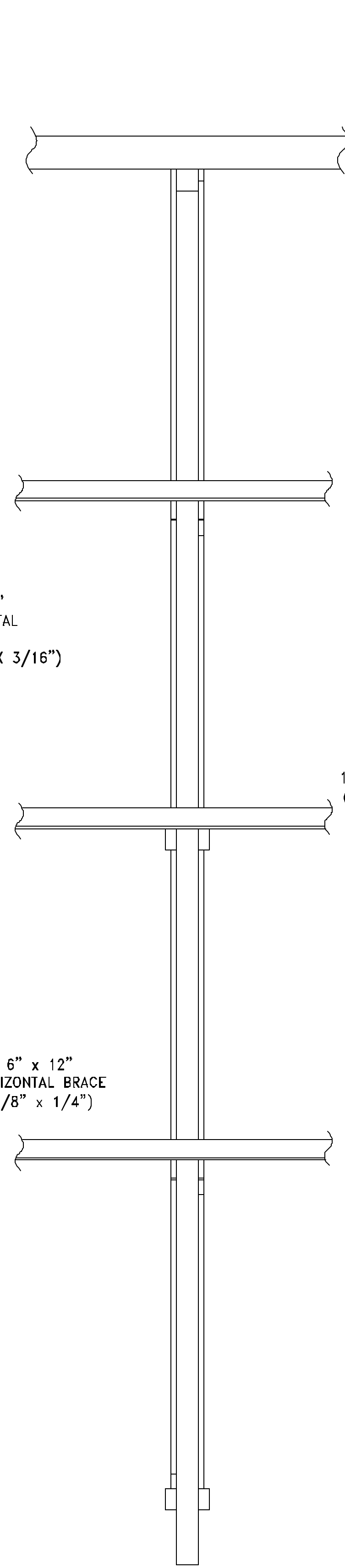


FALSE FRAME TRESTLE BENT



TRUE FRAME BENT or NOTCHED FRAME BENT