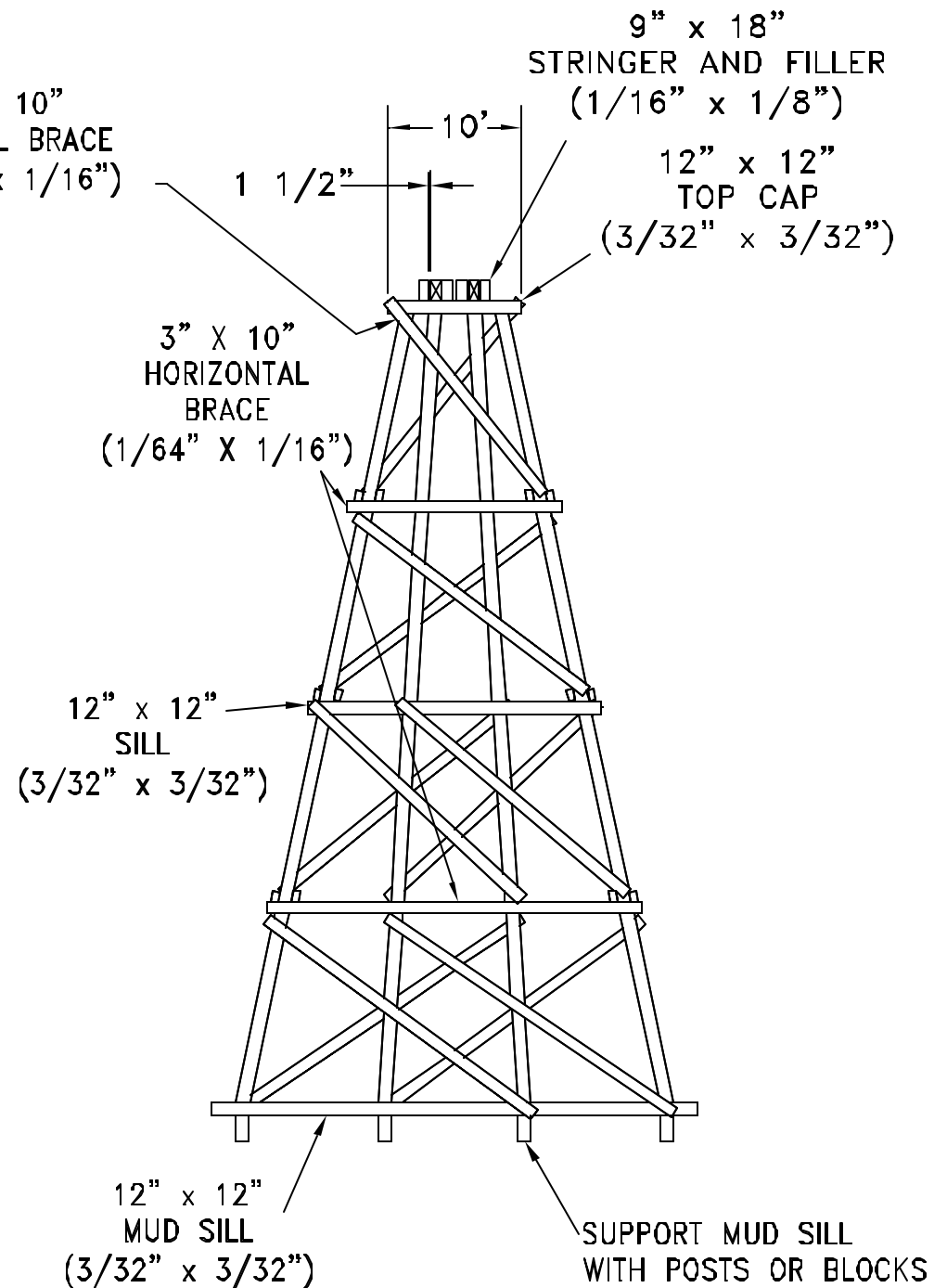
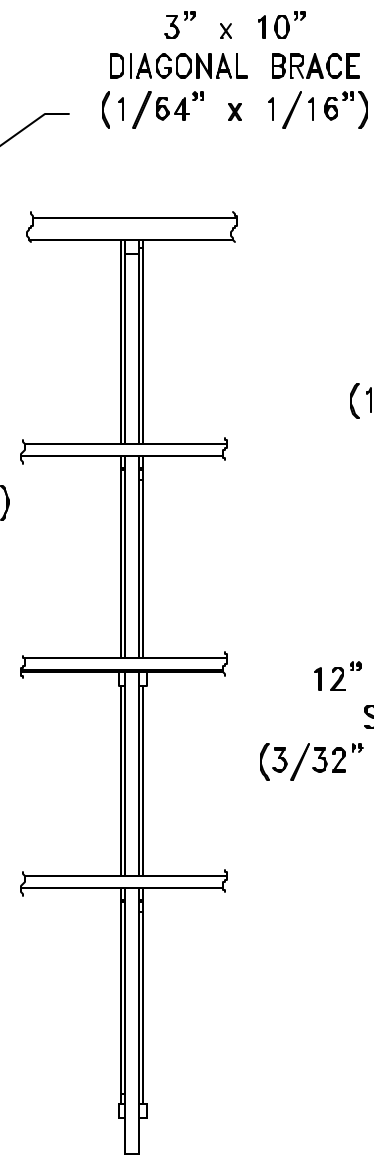
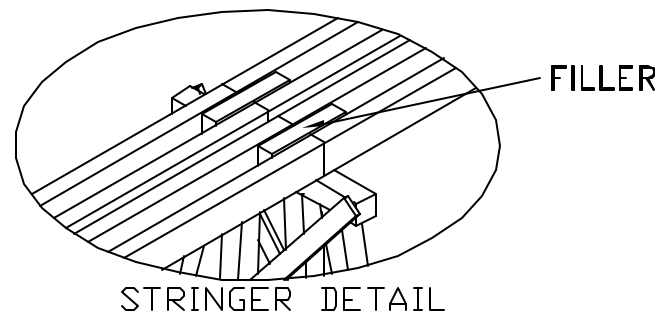
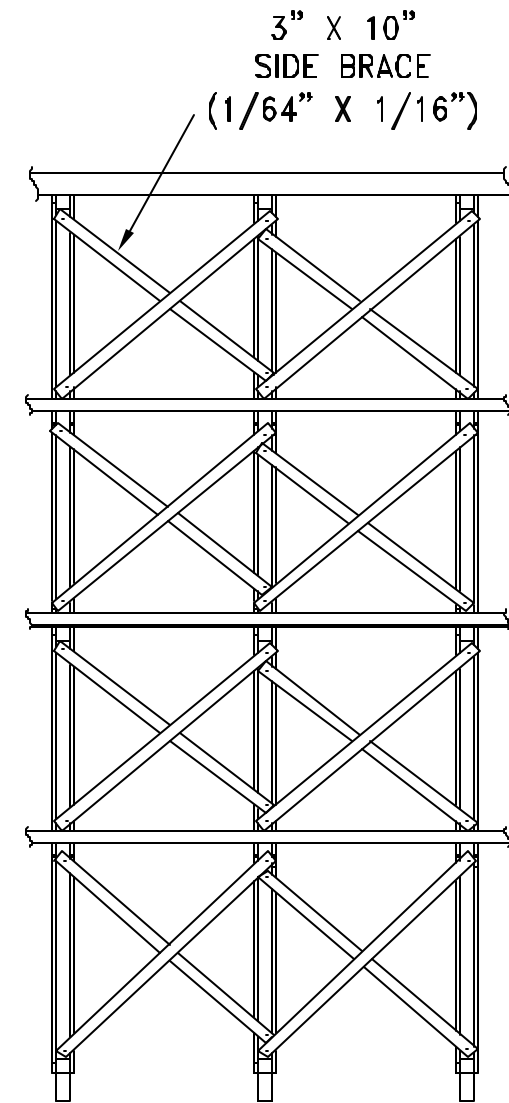


FALSE FRAME
TRESTLE BENT



TRUE FRAME BENT or
NOTCHED FRAME BENT



"N" SCALE TRESTLE BENT - D&RGW

NARROW GAUGE
APR 12, 2003

SHEET 1 OF 1

TJ4DNN

DRAWING SCALE 1:1

DRAWING SIZE

B



Black Bear Construction Co.
PO Box 28911 Austin, Texas 78755-0911
(512) 487-8400 FAX: (512) 458-8765

© 1994-2001 Black Bear Construction Co.