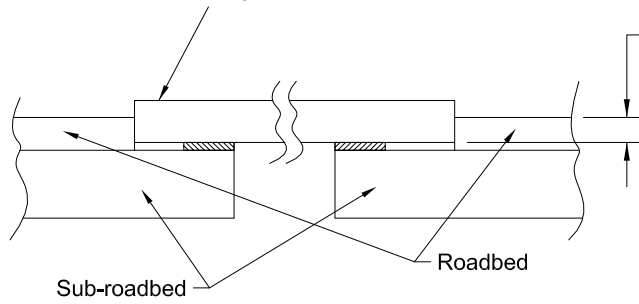


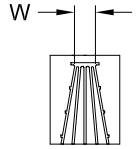
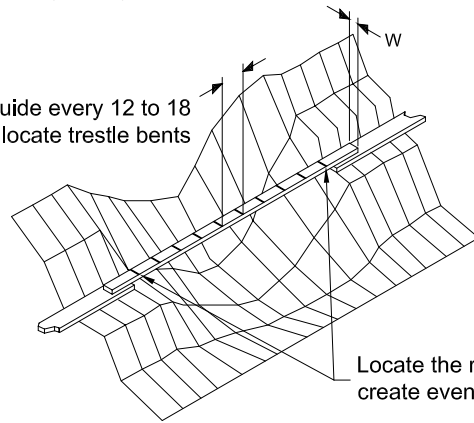
1

The thickness of the **trestle guide** does not really matter. It is **very important** that the distance from the top of the roadbed to the bottom of the trestle guide is the same height (thickness) as the stringer. Shim the trestle guide if necessary. The tops of the stringers should line up with the top of the roadbed.



Shim so this dimension is same as the stringer height.

Mark guide every 12 to 18 feet to locate trestle bents



Build a **trestle guide** that lies exactly where the trestle will be installed. The guide should be narrower than the trestle cap. Refer to width, "W". The guide will be used to line up the tops of the trestle bents and hold them in place while the plaster, or Hydrocal\*, sets up. (NOTE: Midwest Products' Trestle Buddy\*\* performs this function in HO scale.) Mark the guide at 12 to 18 foot increments to show where the trestle bents will be installed.