

TECHNICAL BULLETIN 1: SUPPORTING SQUARE LEG TRESTLE BENTS ON SILLS

September 1, 2004

Square leg trestle bents are often supported on sills. These sills might then rest directly on the earth or on round pilings driven into the earth.

Black Bear trestle jigs can still be used to model this type of trestle.

This method can also be used on any of the Black Bear frame bent trestles.

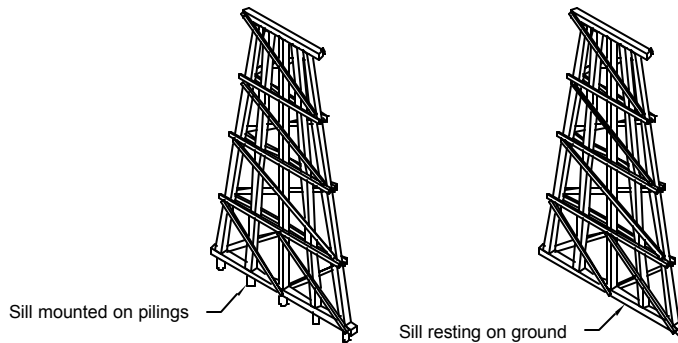


Figure 1 - Build the bent as instructed. After the braces are glued to the legs and top cap, remove the bent from the jig. **DO NOT GLUE THE BRACES TO THE BOTTOM SIDE YET.**

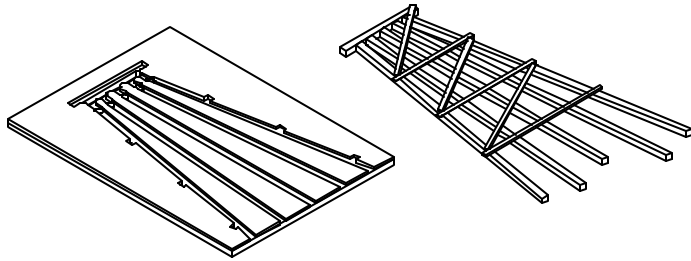


Figure 2 - Place the bent on a piece of ruled paper so you can keep it square.

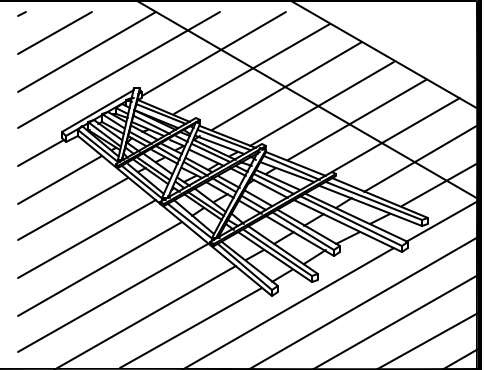


Figure 3 - Line up a straight edge with the desired location of the ends of the legs. Cut the ends of the legs off with a hobby knife. It might be easier to mark the cuts with a knife and finish the job with a razor saw.

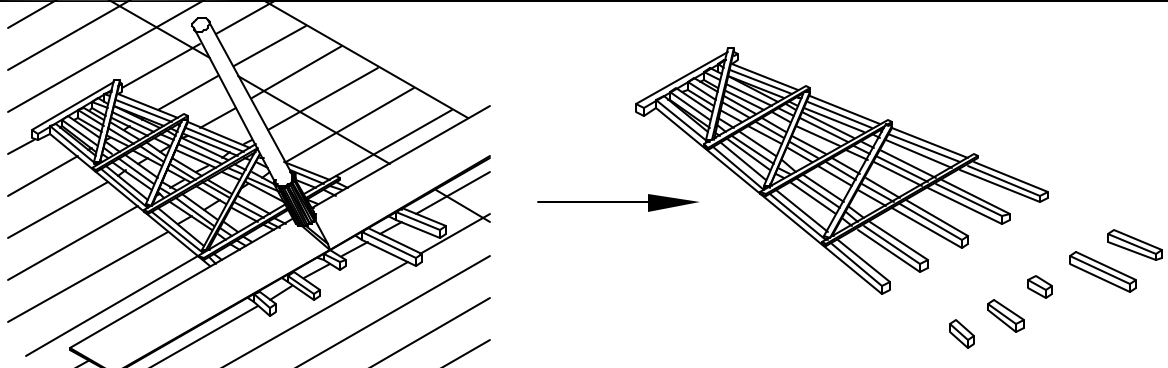


Figure 4 - Sand the ends of the legs flat with a large sanding block.

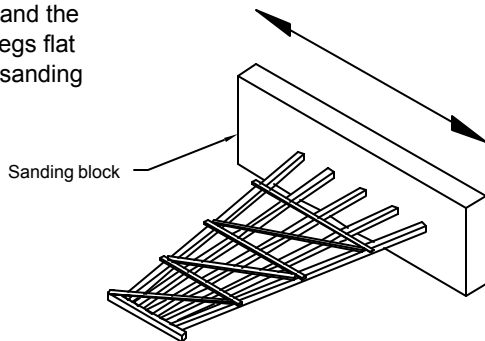


Figure 5 - Glue a piece of 12" x 12" stock to the bottoms of the legs to act as the sill.

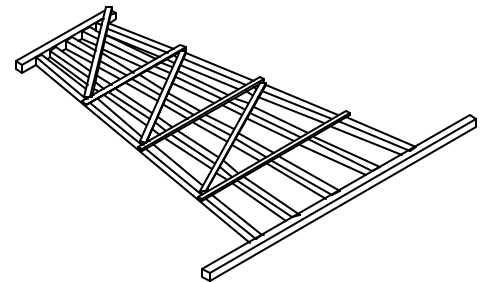


Figure 6 - Trim the ends of the sill with a hobby knife, razor saw, or wood cutter.

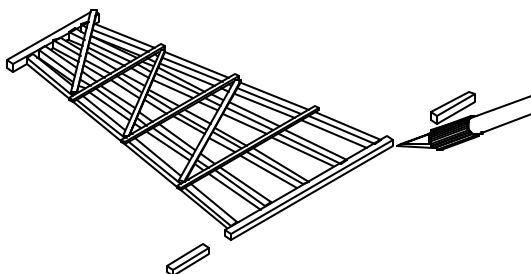


Figure 7 - Apply additional bracing on the story between the lowest horizontal brace and the sill.

Turn the bent over and apply all the bracing to the other side.

