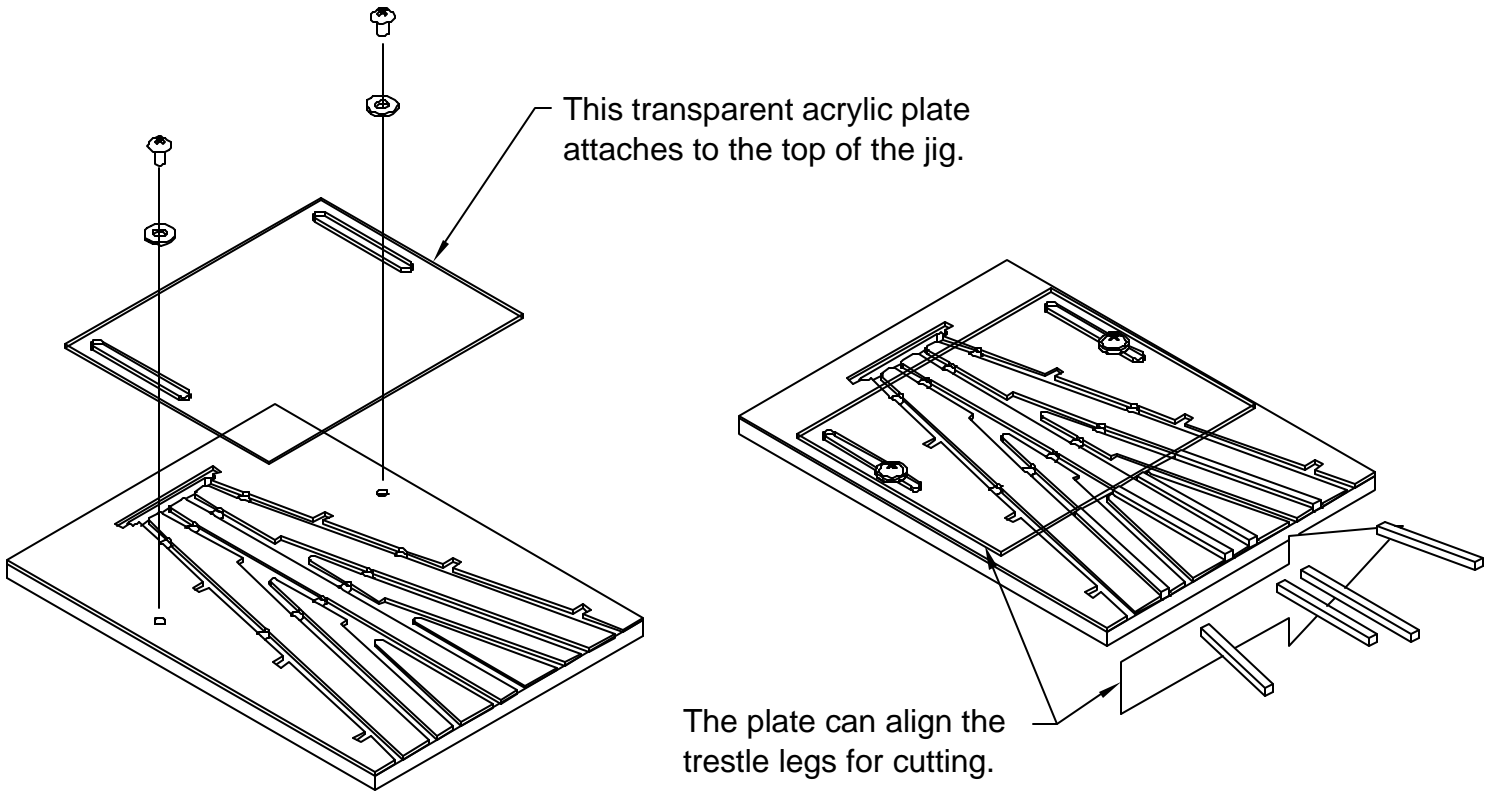


ANNOUNCING

August 11, 2005

A major **DESIGN IMPROVEMENT** to make it easier to build **TRUE FRAME TRESTLE BENTS** .

Introducing - The Black Bear Trestle Leg Guide Plate



Beginning August 11, 2005, all Black Bear 4-Leg trestle jigs will be shipped with the Trestle Leg Guide installed.

Jigs that have already been purchased can be upgraded with the Trestle Guide Upgrade Kit.

N SCALE

Jig	Trestle Guide Upgrade Kit	Price
TJ4-DxN, TJ4-RN	TG-DRN	\$2.99
TJ4-AN	TG-AN	\$2.99

S SCALE

Jig	Trestle Guide Upgrade Kit	Price
TJ4-DxS	TG-DS	\$3.99
TJ-4AS, TJ-4RS	TG-ARS	\$3.99

HO SCALE

Jig	Trestle Guide Upgrade Kit	Price
TJ-4RHOA, TJ-4DxHO	TG-DRaHO	\$3.49
TJ-4RHO, TJ-4AHO	TG-ARbHO	\$3.49

O SCALE

Jig	Trestle Guide Upgrade Kit	Price
TJ-xOn30S	TG-On30S	\$3.49
TJ-4DxO, TJ-xOn30T	TG-DOn30T	\$4.49
TJ-4RO	TG-RO	\$4.49
TJ-4AO	TG-AO	\$4.49

Tools for tapping the holes in the jig are also available.

	P/N	Price
#29 Drill Bit	DR-29	\$2.00
8-32 Tap	TAP-832	\$3.95

Factory upgrades are also available. Ship us your jig and we will charge you the price of the upgrade kit plus the actual return shipping charges.