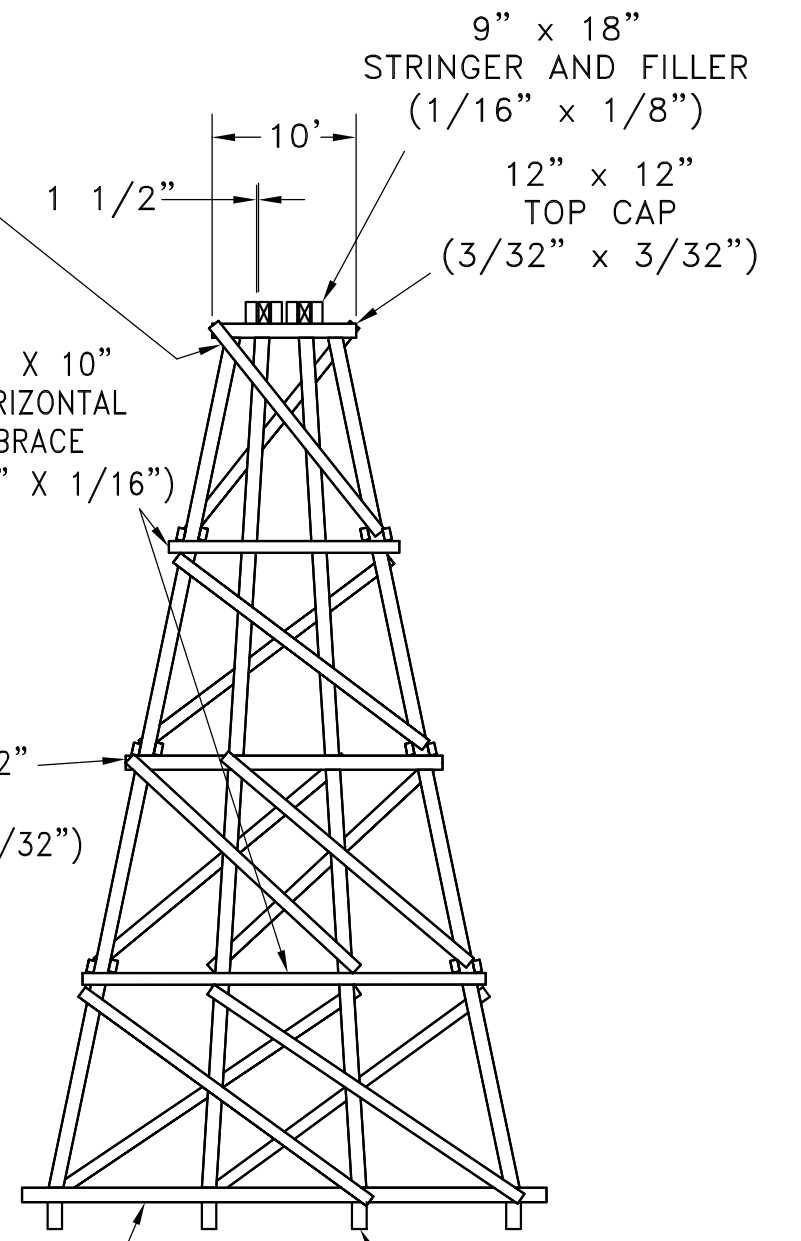
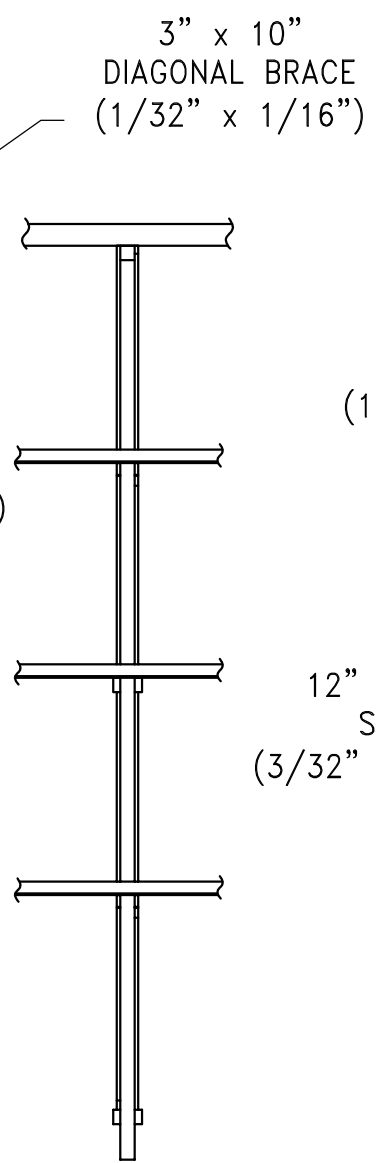
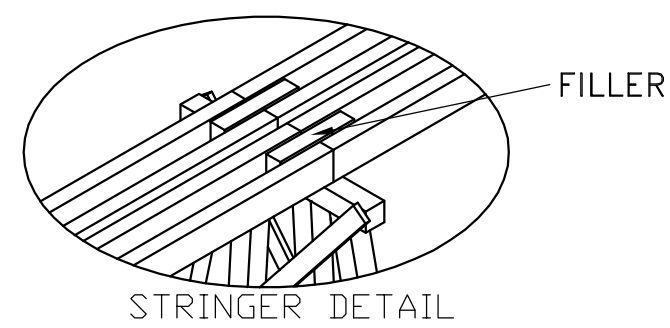
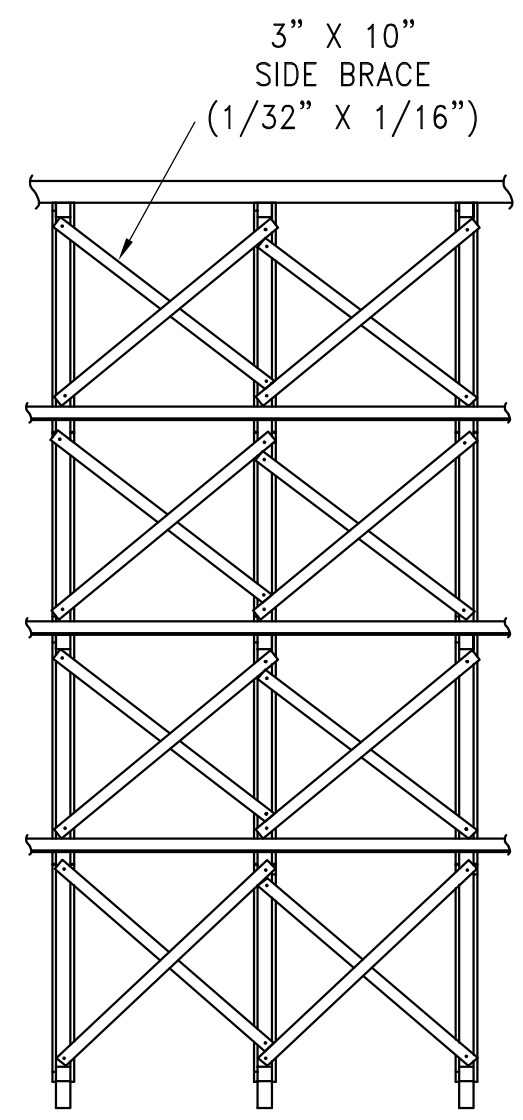


FALSE FRAME  
TRESTLE BENT



TRUE FRAME BENT or  
NOTCHED FRAME BENT



"N" SCALE TRESTLE BENT - D&RGW		DRAWING SIZE
NARROW GAUGE	SHEET 1 OF 1	B
AUGUST 6, 2002	TJ4DNN	DRAWING SCALE 1:1


**Black Bear Construction Co.**  
 PO Box 26911 Austin, Texas 78755-0911  
 (512) 467-8400 FAX: (512) 458-8765  
 © 1994-2001 Black Bear Construction Co.