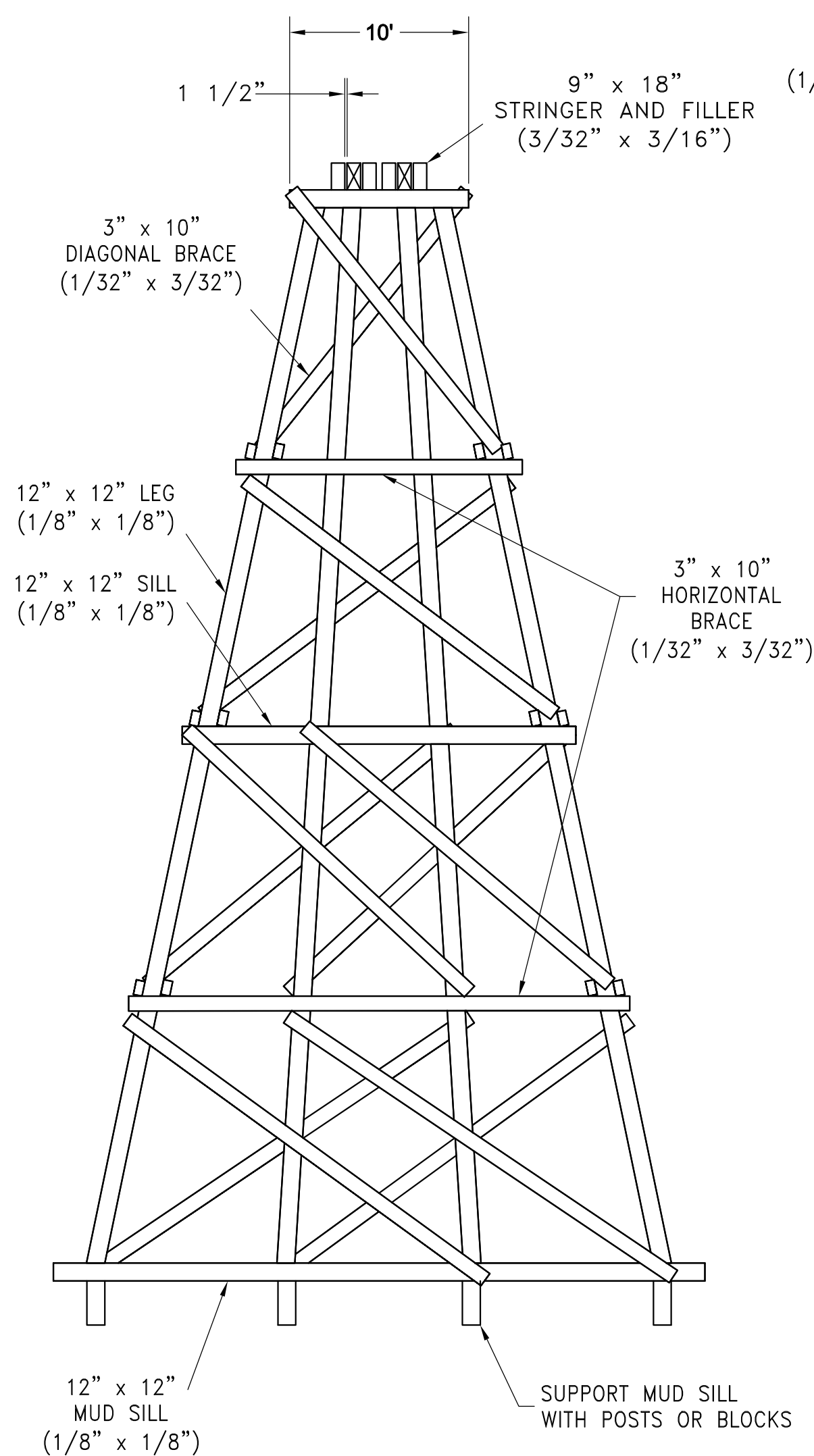
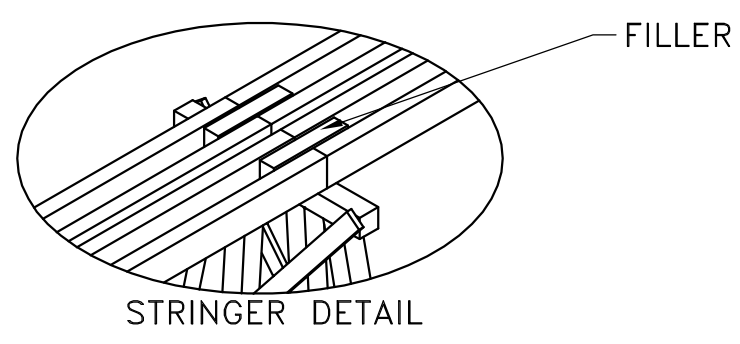


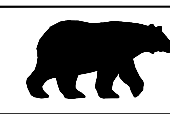
FALSE FRAME TRESTLE BENT



TRUE FRAME BENT or NOTCHED FRAME BENT



STRINGER DETAIL

|                                 |              |                   |  |
|---------------------------------|--------------|-------------------|--|
| "HO" SCALE TRESTLE BENT - D&RGW |              | DRAWING SIZE      |  Black Bear Construction Co.<br>PO Box 26911 Austin, Texas 78755-0911<br>(512) 467-8400 FAX: (512) 458-8765 |
| NARROW GAUGE                    | SHEET 1 OF 1 | C                 |  |
| AUG 6, 2002                     | TJ4DNHO      | DRAWING SCALE 1:1 | © 1994-2001 Black Bear Construction Co.  |