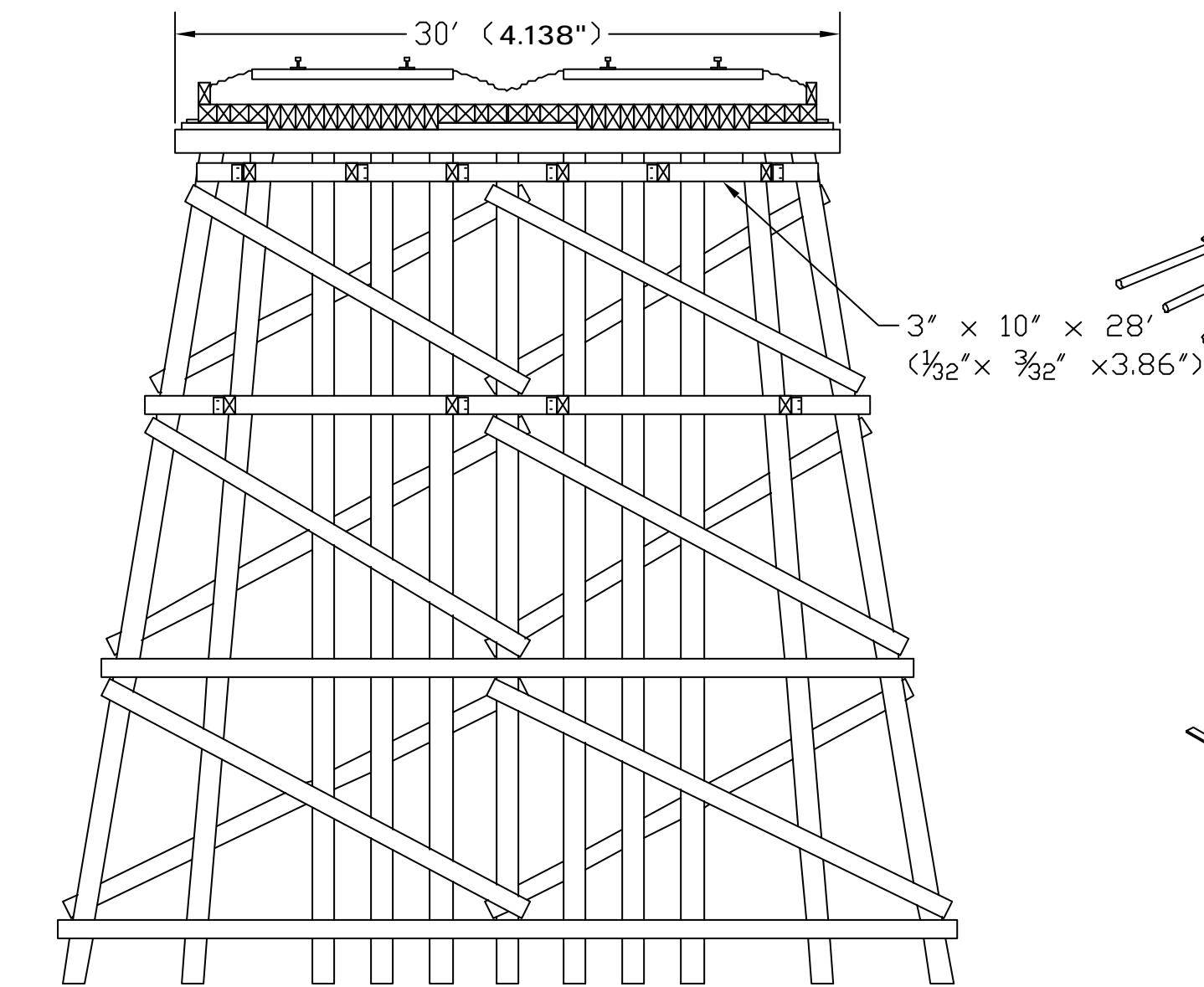


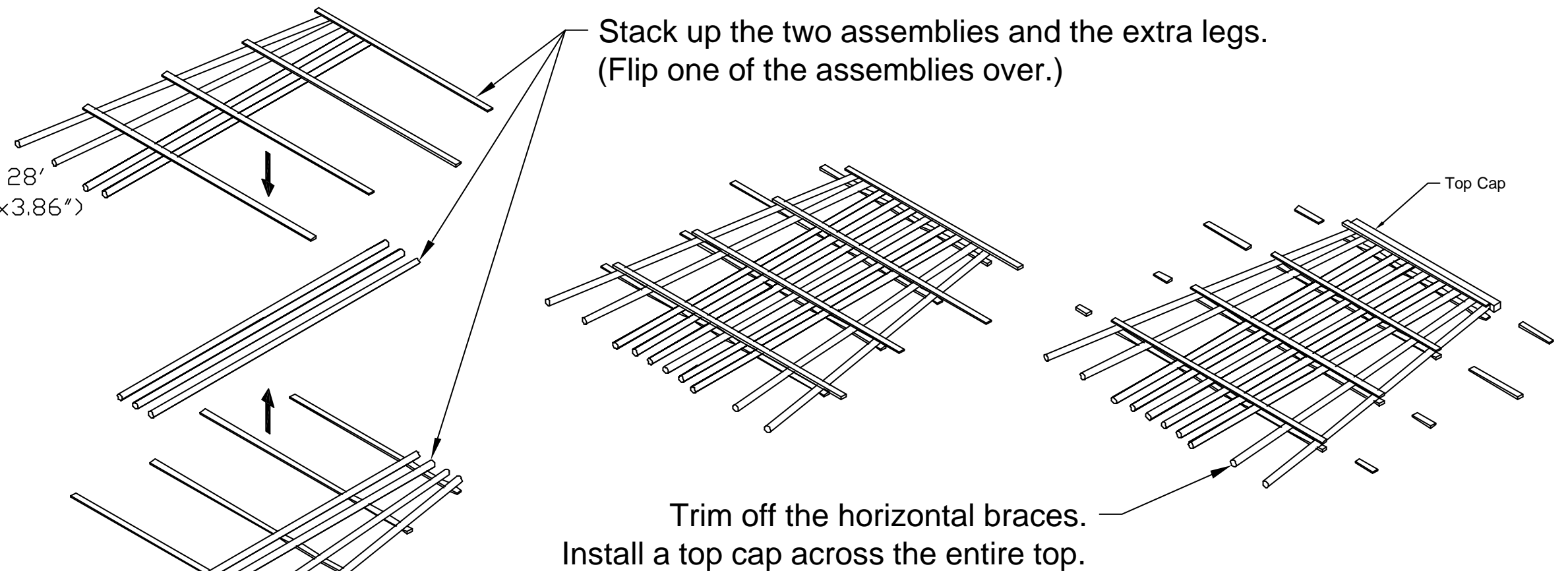
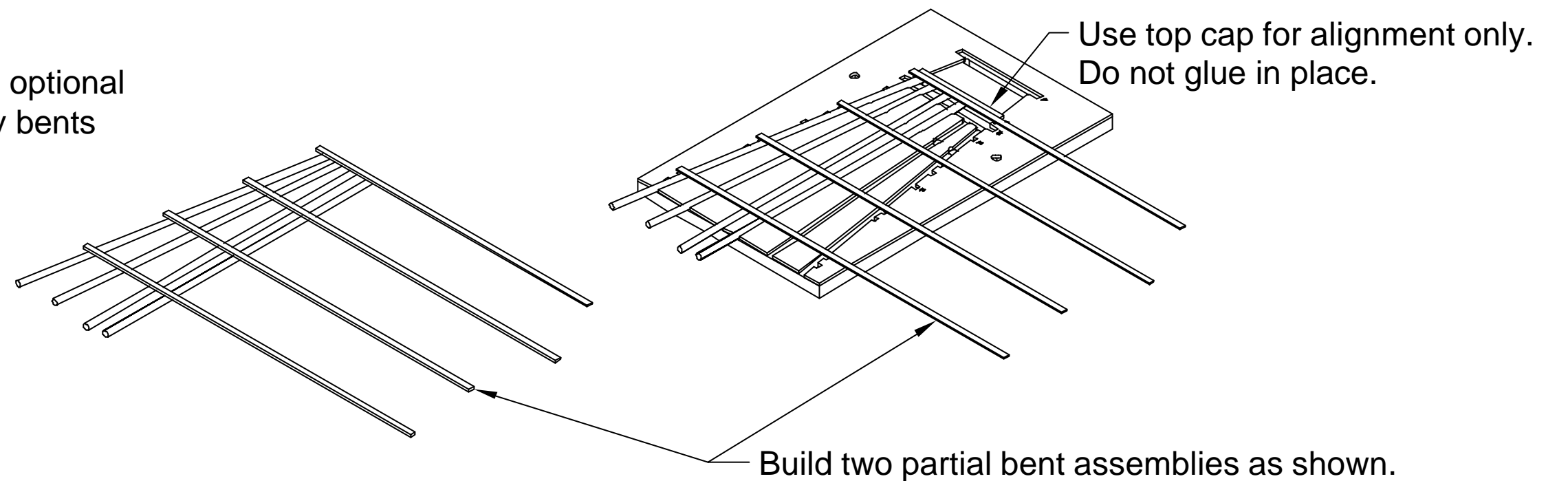
DOUBLE TRACK TRESTLE – STANDARD GAUGE
FULL SIZE – HO SCALE
AT&SF OPEN DECK



DOUBLE TRACK TRESTLE – STANDARD GAUGE
FULL SIZE – HO SCALE
AT&SF BALLASTED DECK

MINIMUM TRACK CENTER DISTANCE NMRA RECOMMENDATION	
STRAIGHT, PARALLEL TRACK	
STANDARD GAUGE	1-13/16"
NARROW GAUGE	1-9/16"
18" RADIUS	
STANDARD GAUGE	2-3/16"
NARROW GAUGE	2"
ADDITIONAL RADII SPECIFIED IN NMRA STANDARDS, SHEET NO. S-8, AUGUST, 1982.	

BUILDING DOUBLE WIDE TRESTLE BENTS



DRAWING SIZE



"HO" SCALE 6 LEG TRESTLE

SHEET 2 OF 2



Black Bear Construction Co., Inc.
PO Box 26911
(512) 467-8400
Austin, Texas 78755-0911
FAX: (512) 985-5110

DRAWING SCALE 1:1

© 1994-95, 2008 Black Bear Construction Co.