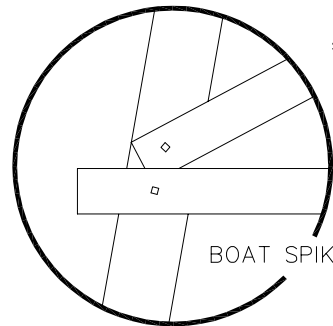


ABOUT NBW'S

Each railroad line has its own set of specifications for attaching the elements of the trestle. The two basic techniques are bolts and "boat spikes".

The bolts are typically 1/2" to 3/4" diameter with a 3" to 4" diameter cast iron washer under the head and nut.

The boat spikes are from 5/16" to 1/2" (3/8" is most typical) diameter.



BOAT SPIKE

Full size 1-1/8" square spike head:

N .
HO .
S .
O .

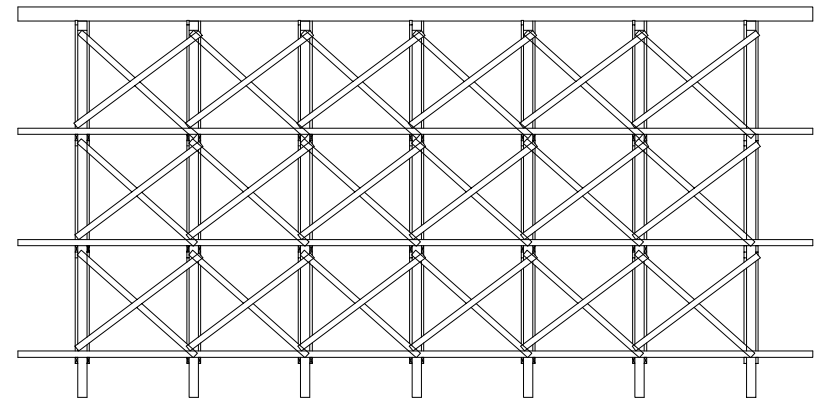
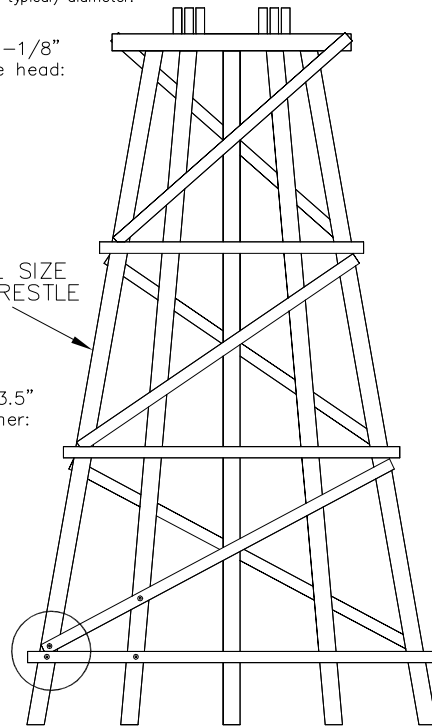
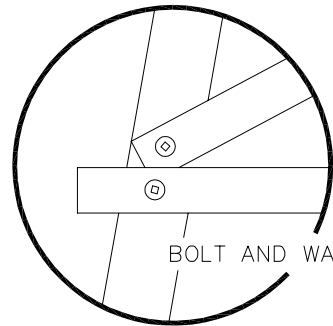
FULL SIZE HO TRESTLE

Full size 3.5" round washer:

N .
HO .
S .
O .

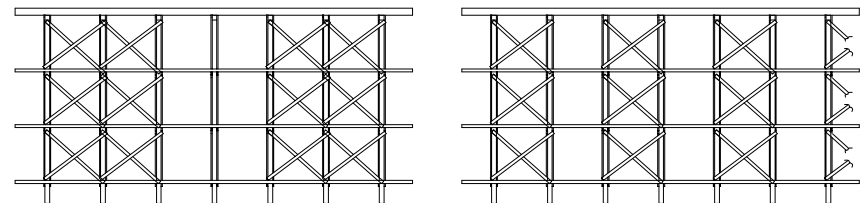
BOLT AND WASHER

4X DETAILS



3/4" TO 1-3/8"
(TYPICAL PROTOTYPE: 12' TO 18')

FULL LATTICE DIAGONAL SIDE BRACING
SHOWN FULL SIZE - N SCALE



ALTERNATE DIAGONAL SIDE BRACING
SHOWN 1/2 SIZE - N SCALE

Spikes are difficult to see on dark wood and may be eliminated without a significant loss of detail. A cost effective way to show the spike or bolt heads is to use a small spot of black, or dark red (rust colored) acrylic paint. Use tube paints that are pasty in texture. Use the flattened end of a toothpick to imprint the "NBW's" shown above.

Some modelers may wish to install the 462 NBW's required on each 80 foot section of trestle. We recommend the following sizes:

- In N Scale, use P/N GL-5066 (2" threaded rod in N) to create a 6" diameter washer.
- In HO Scale, use P/N GL-5066 (2" threaded rod in N) to create a 3-1/4" diameter washer.
- In S Scale, use P/N GL-5093 (2" threaded rod in HO) to create a 4" diameter washer.
- In O Scale, use P/N GL-5123 (2" threaded rod in S) to create a 4" diameter washer.

DRAWING SIZE

B

"N" SCALE TRESTLE

SHEET 2 OF 3



Black Bear Construction Co.
PO Box 26911 Austin, Texas 78755-0911
(512) 467-8400 FAX: (512) 458-8765

DRAWING SCALE 1:1

© 1994-95 Black Bear Construction Co.