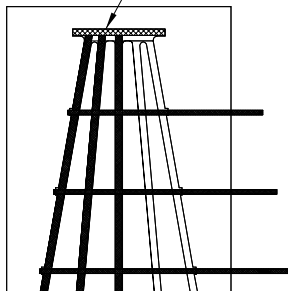
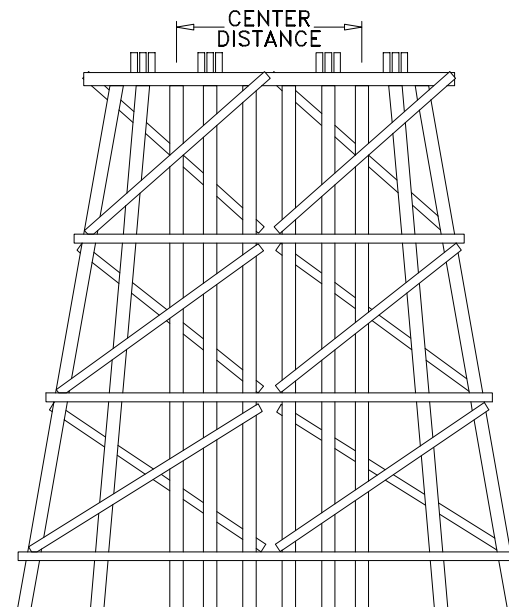


BUILDING DOUBLE WIDE TRESTLE BENTS

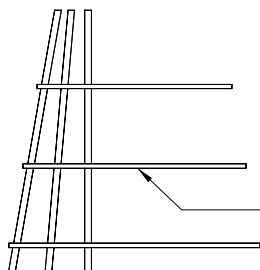
• Use top cap for alignment only.
Do not glue in place.



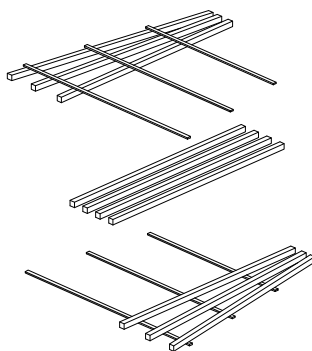
MINIMUM TRACK CENTER DISTANCE NMRA RECOMMENDATION	
STRAIGHT, PARALLEL TRACK	
STANDARD GAUGE	1-13/16"
NARROW GAUGE	1-9/16"
18" RADIUS	
STANDARD GAUGE	2-3/16"
NARROW GAUGE	2"
<small>ADDITIONAL RADI SPECIFIED IN NMRA STANDARDS, SHEET NO. S-8, AUGUST, 1982.</small>	



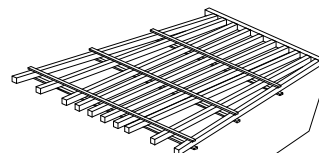
DOUBLE TRACK TRESTLE - STANDARD GAUGE
FULL SIZE - HO SCALE



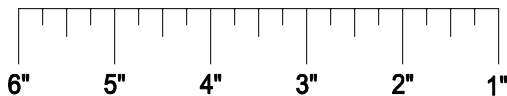
① Build two partial bent assemblies as shown.



② Flip over one of the partial bents and assemble with three or four additional vertical supports. Use the full size drawing above. Adjust the spacing if required for curved trestle.



③ Add trestle cap that spans entire width.



DRAWING SIZE



"HO" SCALE TRESTLE

SHEET 2 OF 2



Black Bear Construction Co.

PO Box 26911 Austin, Texas 78755-0911
(512) 467-8400 FAX: (512) 458-8765

DRAWING SCALE 1:1

© 1994 Black Bear Construction Co.