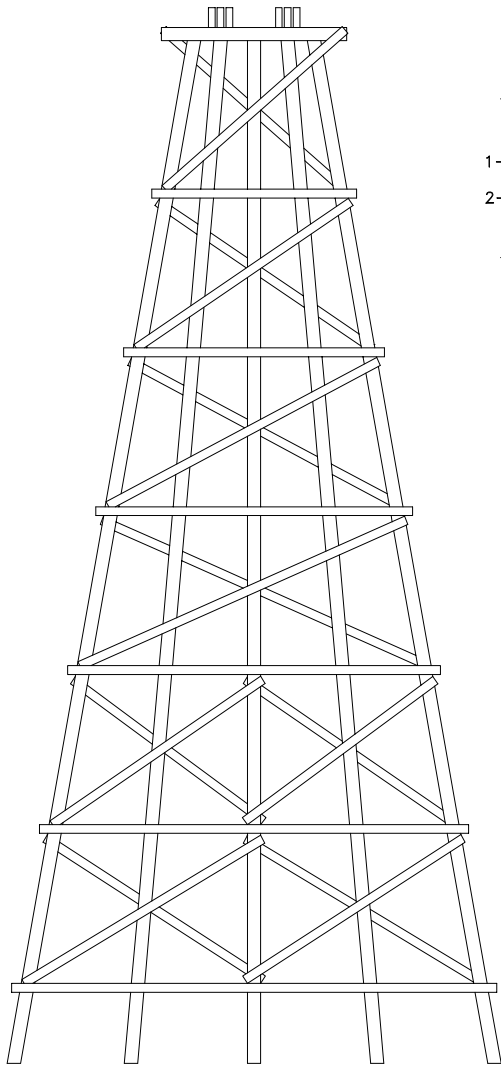
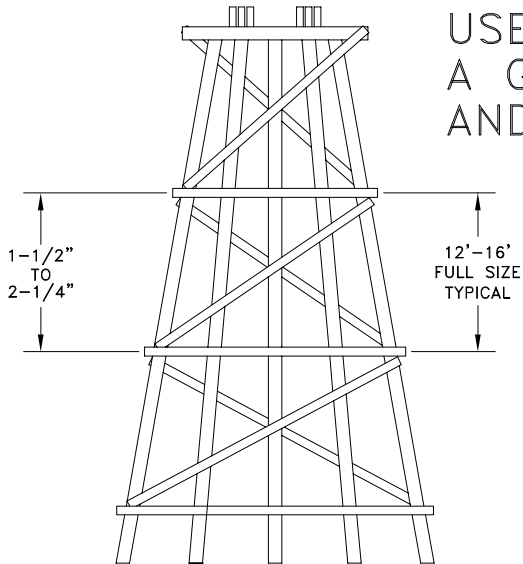


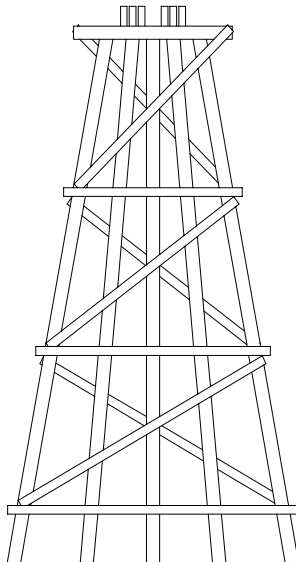
USE THESE REFERENCE DRAWINGS AS
A GUIDE TO LOCATE THE HORIZONTAL
AND DIAGONAL BRACES.



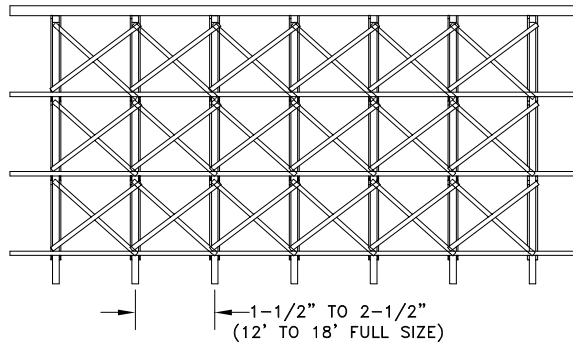
80' STANDARD GAUGE TRESTLE BENT
FULL SIZE - HO SCALE



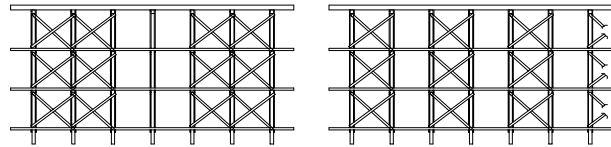
40' STANDARD GAUGE TRESTLE BENT
FULL SIZE - HO SCALE



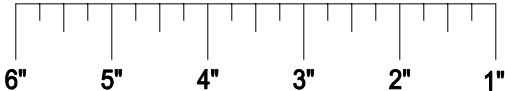
40' NARROW GAUGE TRESTLE BENT
FULL SIZE - HO SCALE



FULL LATTICE DIAGONAL SIDE BRACING
SHOWN HALF SIZE - HO SCALE



ALTERNATE DIAGONAL SIDE BRACING
SHOWN 1/4 SIZE - HO SCALE



DRAWING SIZE



"HO" SCALE TRESTLE

Black Bear Construction Co.

PO Box 26911 Austin, Texas 78755-0911
(512) 467-8400 FAX: (512) 458-8765



SHEET 1 OF 2

DRAWING SCALE 1:1

© 1994 Black Bear Construction Co.