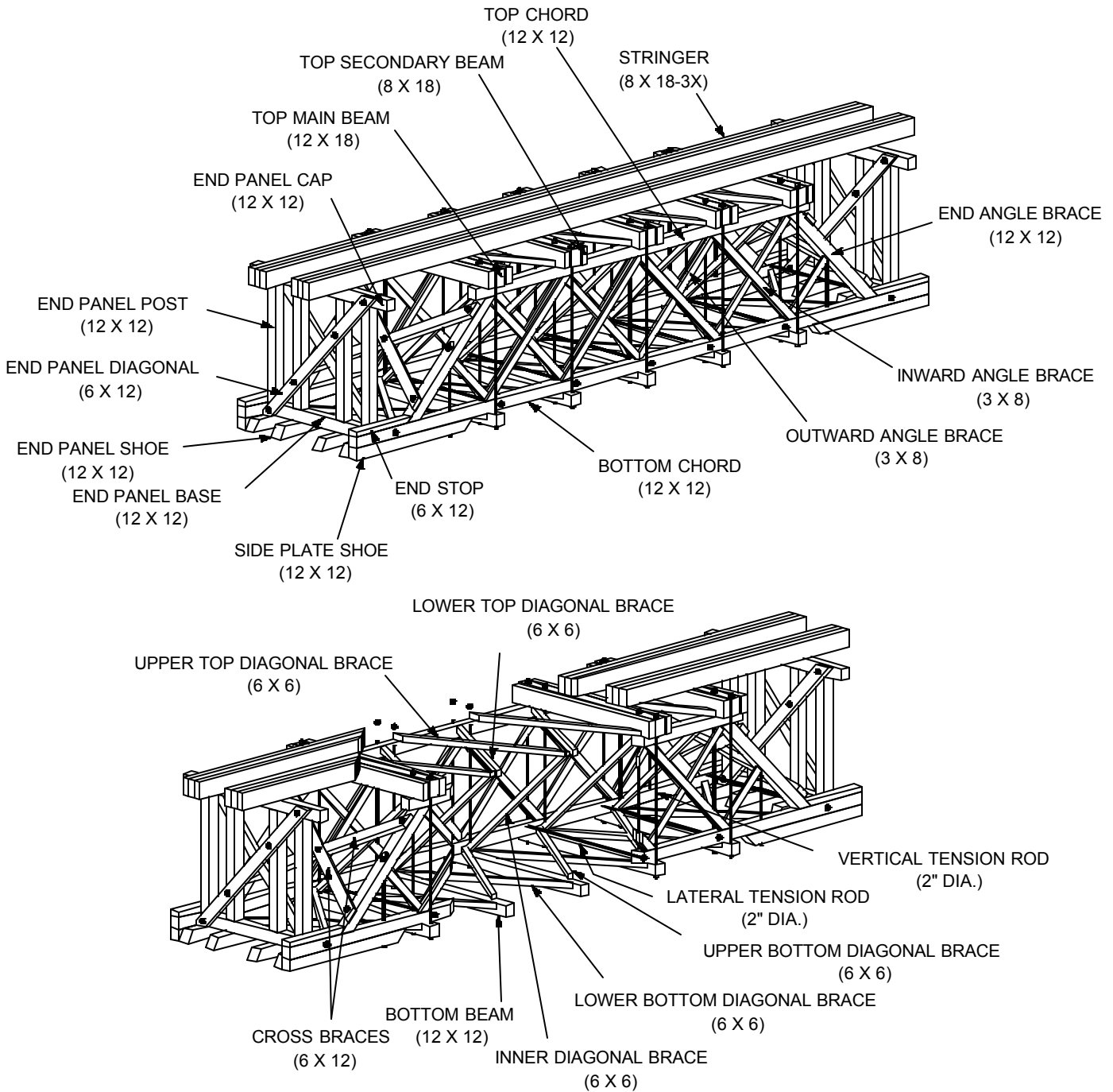


DBK-O Wood Sizes



© Black Bear Construction Co. 1993-95, 2003

Black Bear Construction Co. Deck Bridge

Prototype Size

For O Scale, Use:

6" x 12"

1/8" x 1/4"

8" x 18"

3/16" x 3/8"

6" x 6"

1/8" x 1/8"

3" x 8"

1/16" x 3/16"

12" x 12"

1/4" x 1/4"

12" x 18"

1/4" x 3/8"

2" Dia. Rod

.047" Wire

NBW

GL-0016