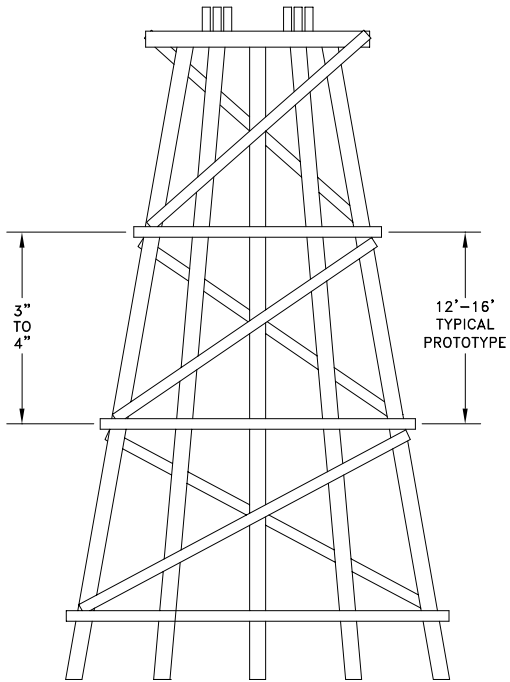
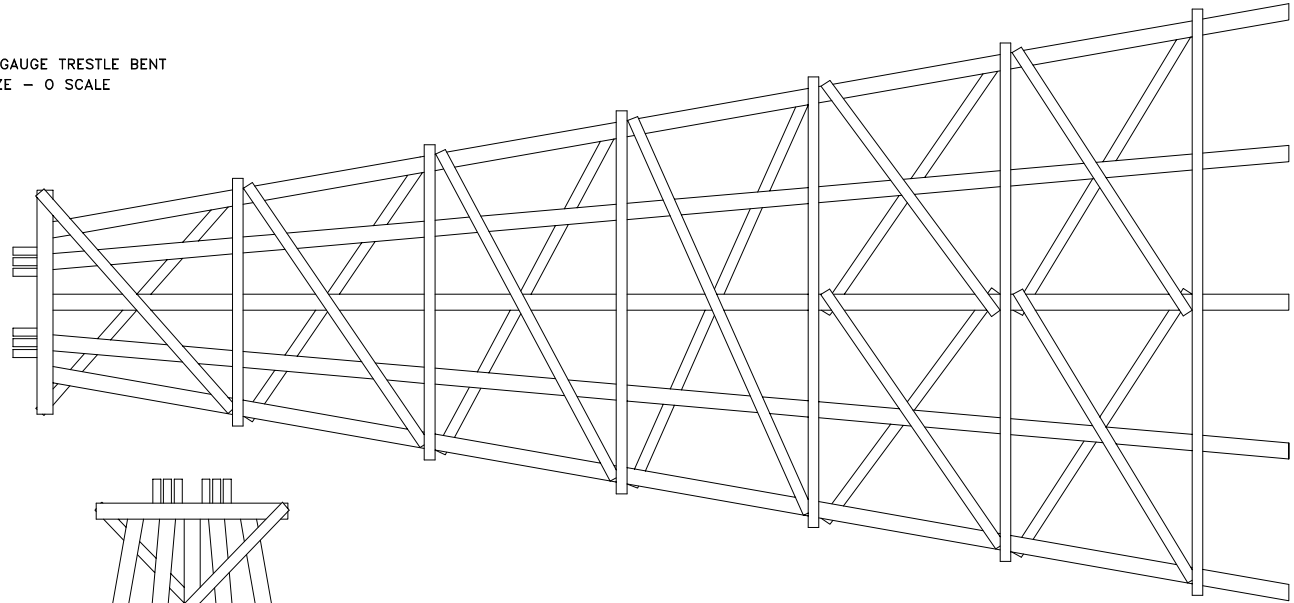
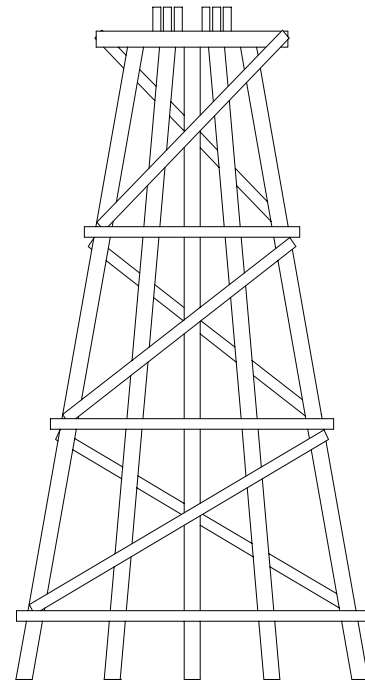


80' STANDARD GAUGE TRESTLE BENT  
FULL SIZE - 0 SCALE




40' STANDARD GAUGE TRESTLE BENT  
FULL SIZE - 0 SCALE



40' NARROW GAUGE TRESTLE BENT  
FULL SIZE - 0 SCALE

USE THESE REFERENCE DRAWINGS AS  
A GUIDE TO LOCATE THE HORIZONTAL  
AND DIAGONAL BRACES.

DRAWING SIZE <b>D</b>	"0" SCALE TRESTLE
	 <b>Black Bear Construction Co.</b> PO Box 26911 (512) 467-8400 Austin, Texas 78755-0911 FAX: (512) 458-8765
SHEET 1 OF 2	© 1994-95 Black Bear Construction Co.
DRAWING SCALE 1:1	