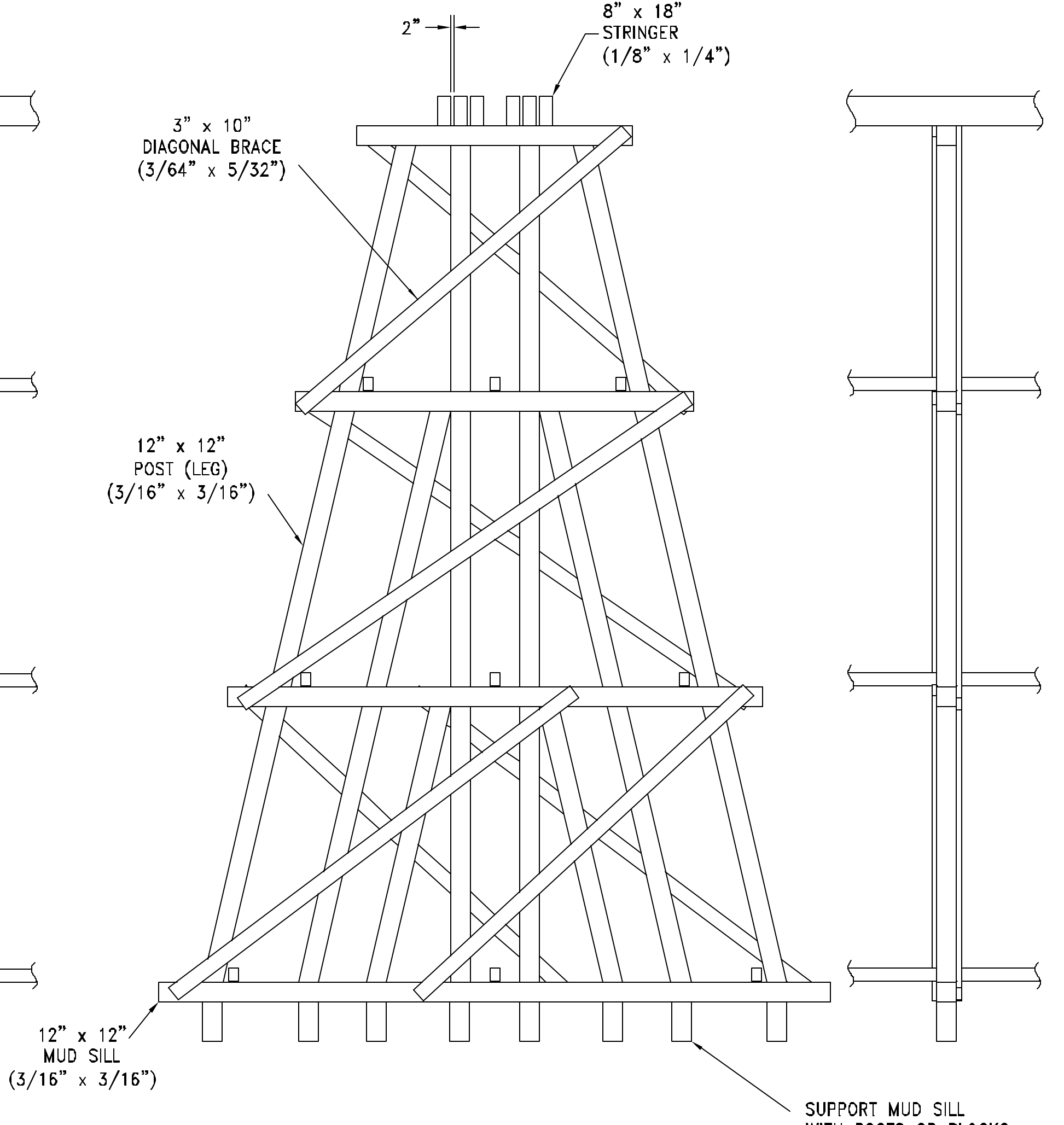
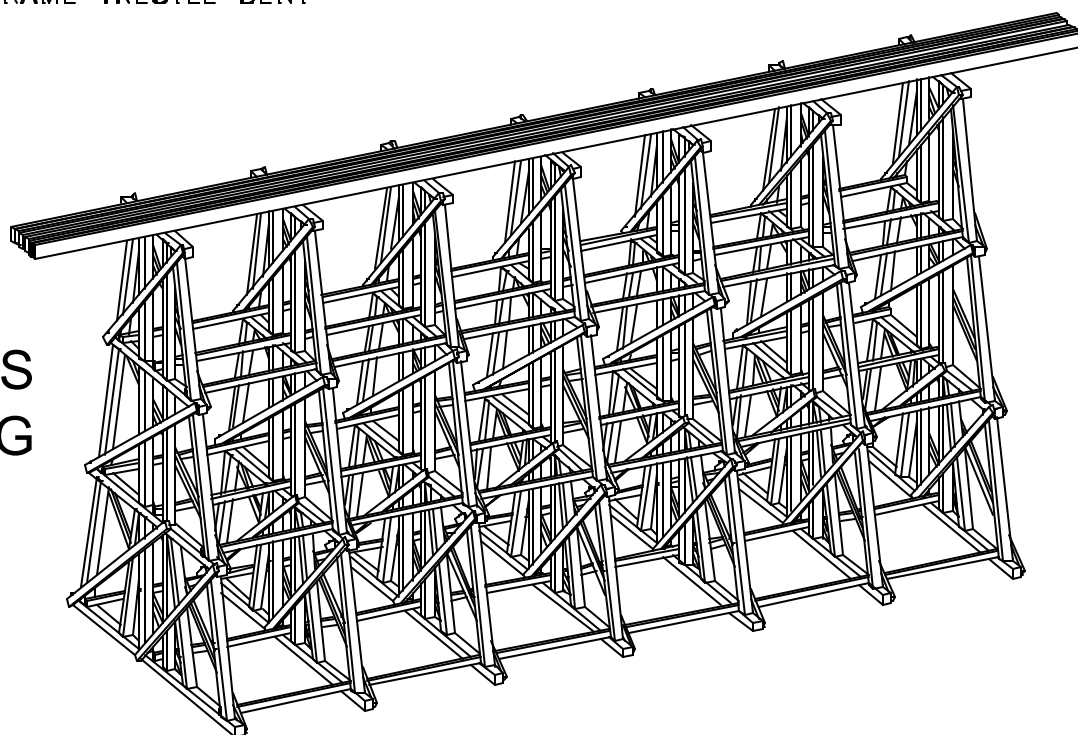



FALSE FRAME TRESTLE BENT



TRUE FRAME BENT or NOTCHED FRAME BENT

TYPICAL RGS BRACING



"S" SCALE TRESTLE BENT - RGS		DRAWING SIZE	 Black Bear Construction Co. PO Box 28911 Austin, Texas 78755-0911 (512) 487-8400 FAX: (512) 458-8785
TYPICAL BENT, BRIDGES 57 - A, B; THE GALLAGHER TRESTLE APR 12, 2003		SHEET 1 OF 1	
TJ4RS	DRAWING SCALE 1:1		© 1994-2003 Black Bear Construction Co.