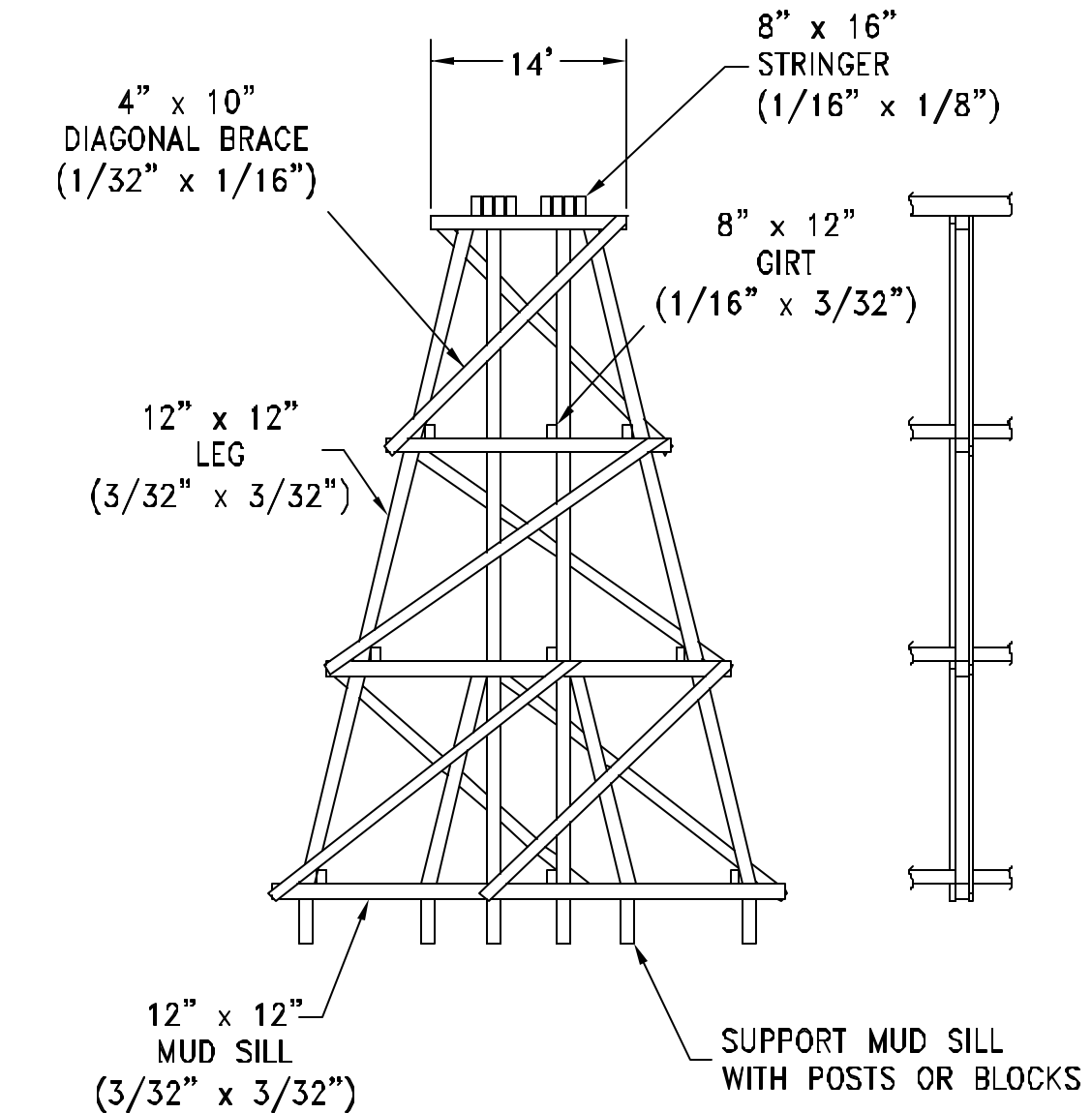
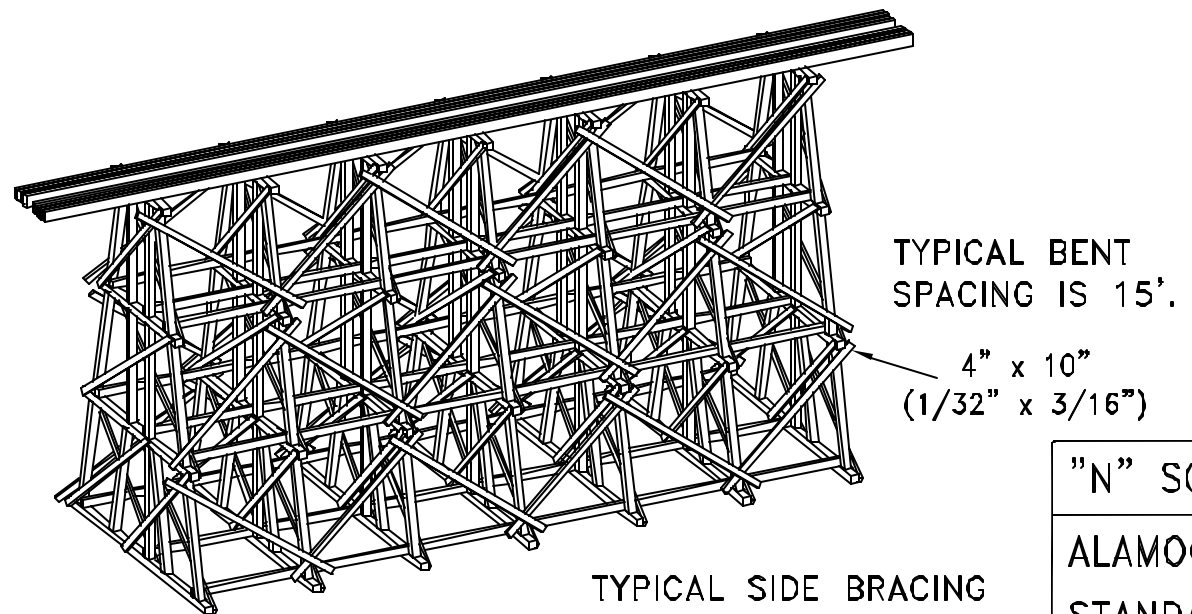


FALSE FRAME TRESTLE BENT




TRUE FRAME BENT or NOTCHED FRAME BENT



TYPICAL SIDE BRACING

"N" SCALE TRESTLE BENT	TJ4AN	DRAWING SIZE
ALAMOGORDO & SACRAMENTO MTNS.	SHEET 1 OF 1	B
STANDARD GAUGE - APR 12, 2003	DRAWING SCALE 1:1	

 Black Bear Construction Co.  
 PO Box 28911 Austin, Texas 78755-0911  
 (512) 487-8400 FAX: (512) 458-8765

© 1994-2001 Black Bear Construction Co.