

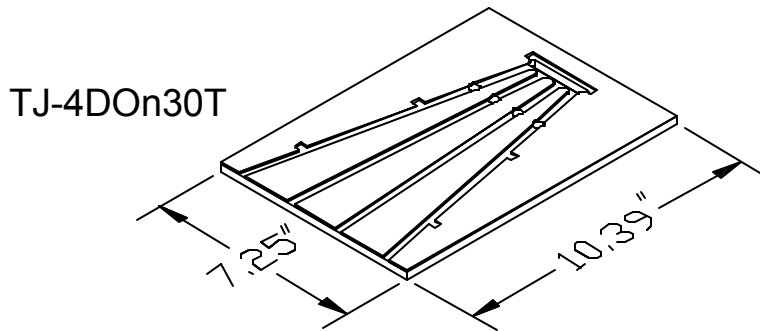
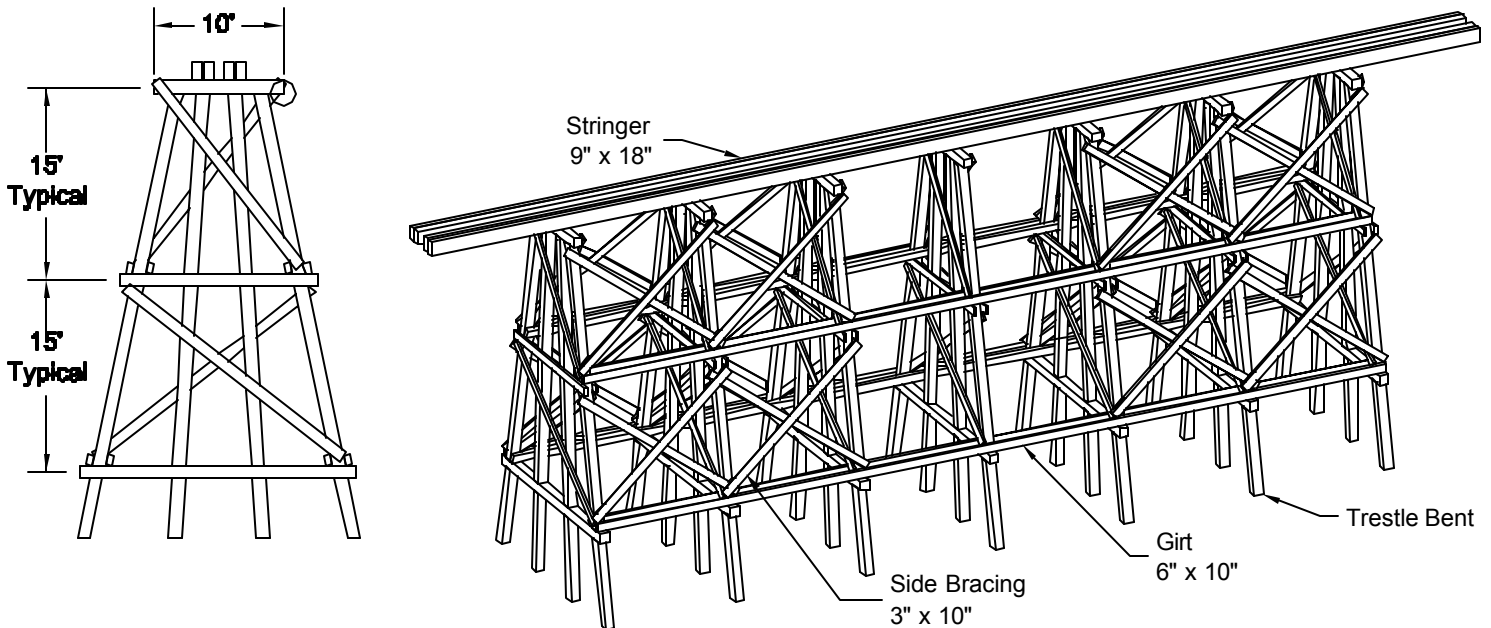
On30 TRESTLE KITS - D&RGW Style

D&RGW style On30 trestle kits are available in two sizes. Both kits include enough material to build seven (7) false frame, notched frame, or true frame trestle bents that span up to 30". The difference is in the typical heights of the bents. The **SHORT** kit (TJK-4DOn30S) is designed to build long trestles with short bents that might be typical of an industrial switching yard. For the rugged, backwoods logging environment, the **TALL** kit (TJK-4DOn30T) might work better because it is easier to build tall true frame trestle bents.

NOTE: Either materials pack works fine with either jig.

TJK-4DOn30T - Builds 7 bents up to 11- 3/4" tall.

Comes with materials pack TJM-DO (See Page 18).



The tall jig (1/4" base) makes it easier to build tall, true frame bents.

TJK-4DOn30S - Builds 7 bents up to 5- 1/2" tall.

Comes with materials half-pack TJM-DOH (See Page 18).

The short jig (1/8" base) will handle most On30 modeling needs at a modest price.

TJ-4DOn30S

