

14'-11"

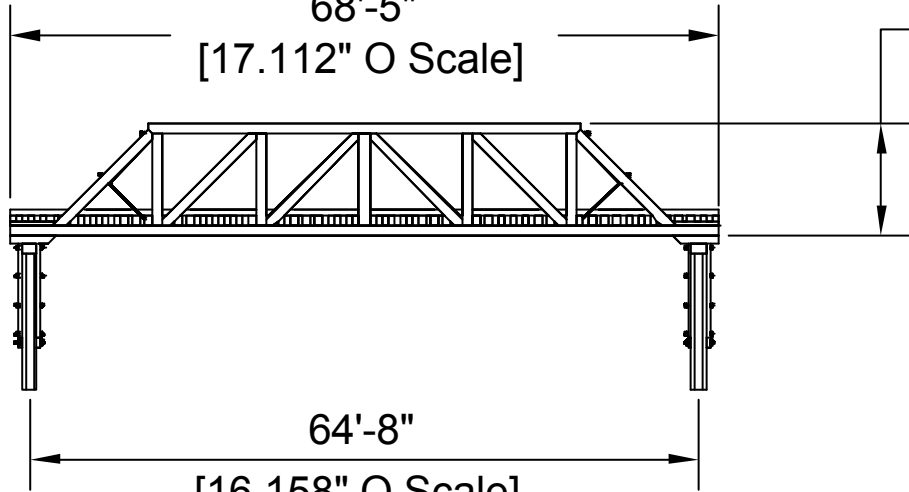
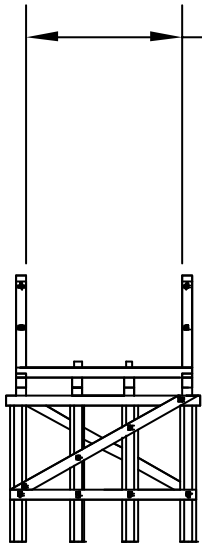
[3.738" O Scale]

68'-5"

[17.112" O Scale]

11'

[2.749" O Scale]



64'-8"

[16.158" O Scale]

STANDARD GAUGE TRUSS BRIDGE

© Black Bear Construction Co. 1993-95, 2000